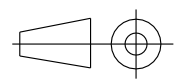
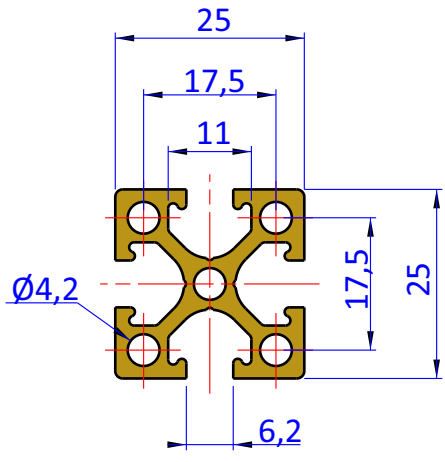
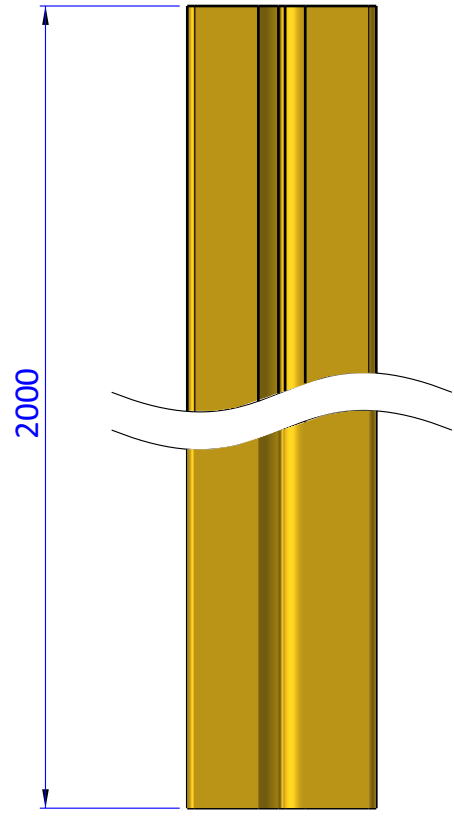


THE PROPERTY OF THE DRAWING IS ESTABLISHED BY LAW. IT IS FORBIDDEN TO PRODUCE OR SHOW IT TO THIRD PART. WITHOUT A WRITTEN AGREEMENT.

Item	Name	Q.ty
1	CA.X.2525.2000G	1



DESIGNED FROM	FPS Automation	REVIEW	A
DATE	16/03/2020	WEIGHT	-
CODE	CA.X.2525.2000G		

Format A4
UNI 936-76

GENERAL TOLERANCE
UNI - ISO 2768
CLASSE f

DESCRIPTION
CA.X.2525.2000G